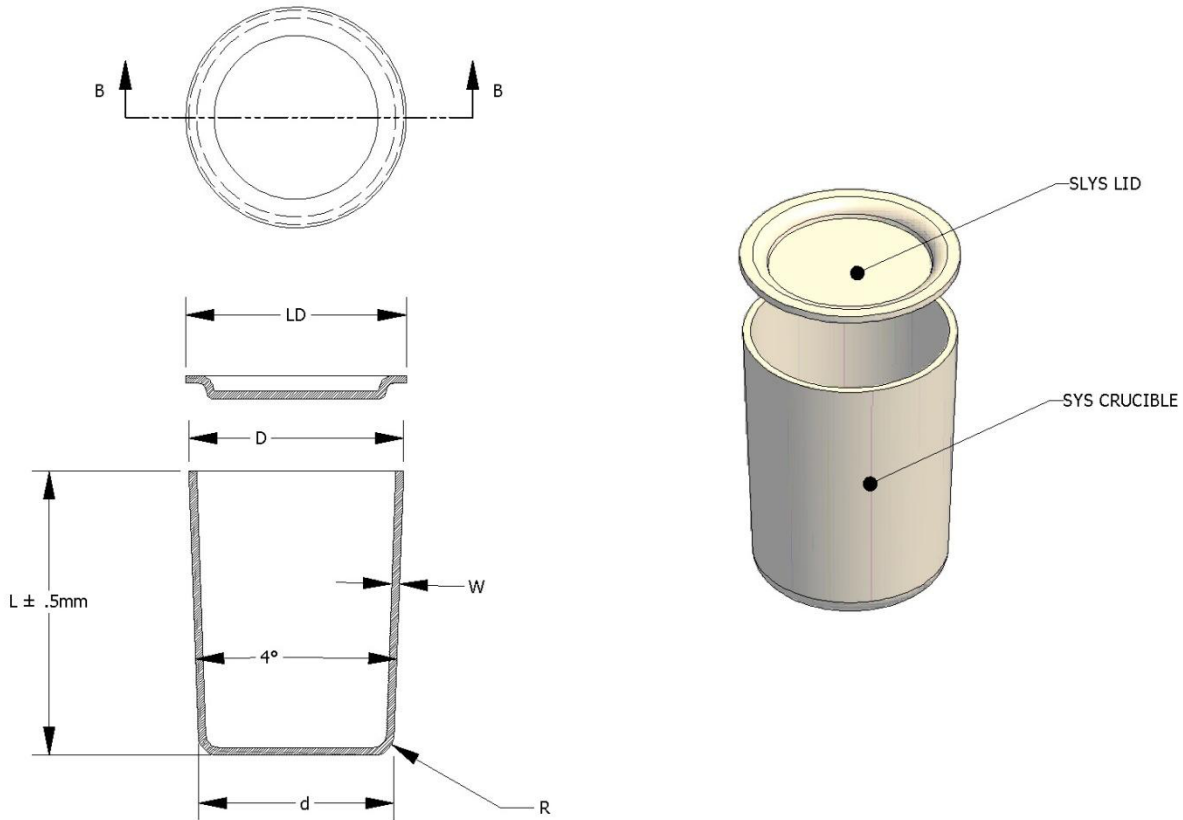




Prairie Ceramics

HIGH TEMPERATURE FURNACE SOLUTIONS

Standard Yttria (Y₂O₃) Crucibles



Part Number	Volume (ml)	Material	D	d	L	W	R	Lid Number	LD
SYS-0002 *	2	Yttria	15	13.8	20	1.0	1.5	SLYS-0002	16
SYS-0020 *	20	Yttria	30	27.5	40	1.3	3.0	SLYS-0020	31
SYS-0040 *	40	Yttria	38	34.8	50	1.4	3.8	SLYS-0040	39
SYS-0100 *	100	Yttria	52	47.6	70	1.6	5.2	SLYS-0100	54
SYS-0500 *	500	Yttria	87	80.0	116	2.2	8.7	SLYS-0500	90
SYS-1000 *	1000	Yttria	110	100.0	146	2.5	11.0	SLYS-1000	113

Notes: Standard tolerances are +/- 4% on all dimensions UOS. Tighter tolerances are available upon request. Crucible volume is measured at 90% of the overall geometric capacity.

