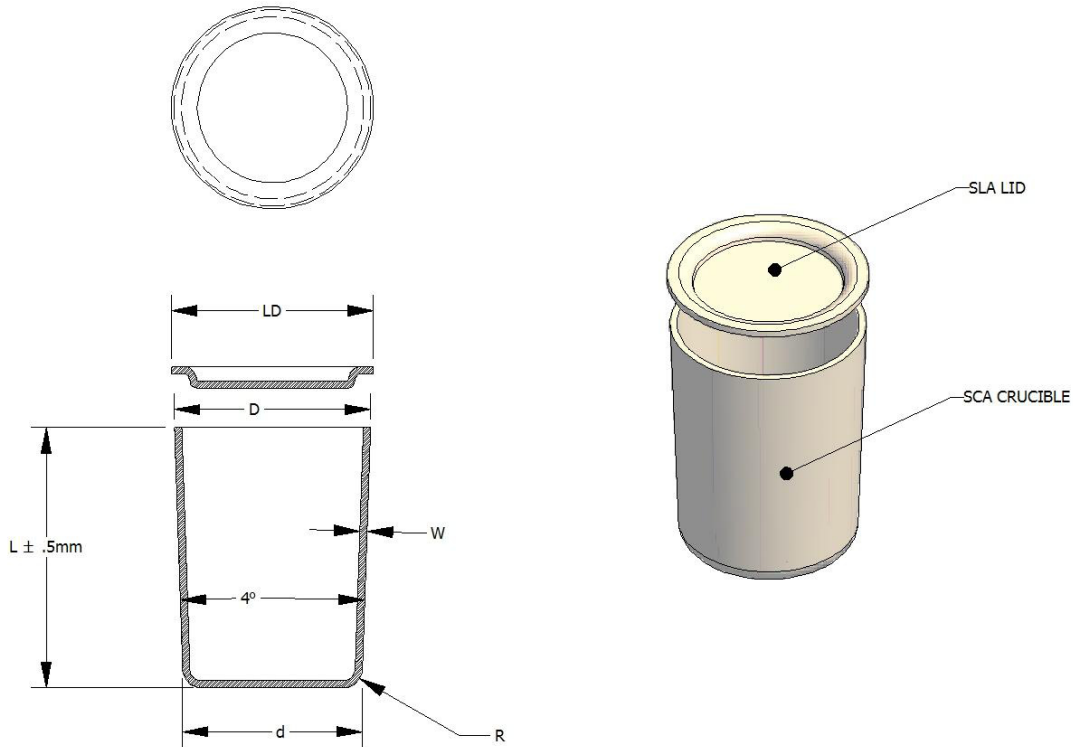




Prairie Ceramics

HIGH TEMPERATURE FURNACE SOLUTIONS

Standard High Purity Alumina 99.8% (Al₂O₃) Crucibles



Part Number	Volume (ml)	Material	D	d	L	W	R	Lid Number	LD
SCA-0002 *	2	AD 99.8	15	13.8	20	1.0	1.5	SLA-0002	16
SCA-0020 *	20	AD 99.8	30	27.5	40	1.3	3.0	SLA-0020	31
SCA-0040 *	40	AD 99.8	38	34.8	50	1.4	3.8	SLA-0040	39
SCA-0100 *	100	AD 99.8	52	47.6	70	1.6	5.2	SLA-0100	54
SCA-0500 *	500	AD 99.8	87	80.0	116	2.2	8.7	SLA-0500	90
SCA-1000 *	1000	AD 99.8	110	100.0	146	2.5	11.0	SLA-1000	113

Notes: Standard tolerances are +/- 4% on all dimensions UOS. Tighter tolerances are available upon request. Ultra high purity Alumina 99.9% available upon request. Crucible volume is measured at 90% of the overall geometric capacity.

